

DEA/DEM

Technical data

- imperial -



angle drive

DE A 08 TLX

Electric
nutrunner

manufactured size

automatic
2-speed gearbox

lightweight
construction

DE M W 12 TSX

Electric
nutrunner

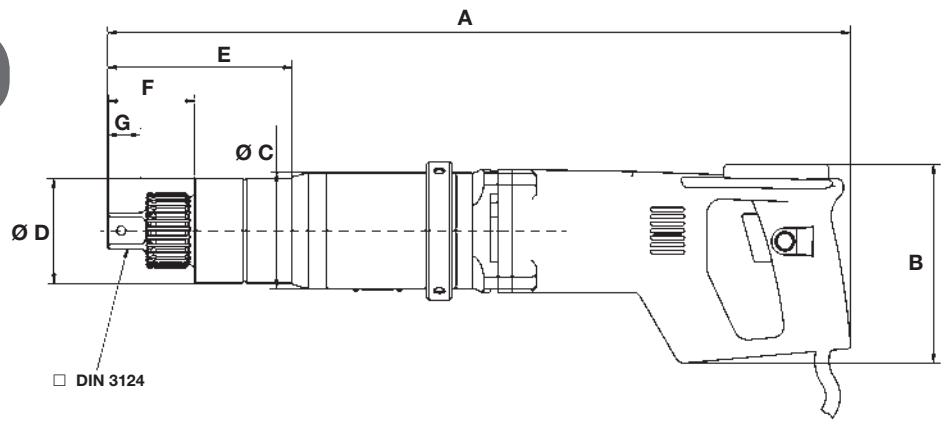
manufactured size

manual
2-speed gearbox

steel version
(gearbox housing)

DEA/DEM

All types available also in steel version.



dimensions (inch)

Type	A	B	C	D	E	F	G	□ inch
DEA 08 TLX	20.4"	5.5"	3.2"	2.9"	4.9"	2.2"	0.9"	3/4"
DEA 12 TLX	20.6"	5.5"	3.2"	2.9"	5.1"	2.4"	1.0"	1"
DEA 17 TLX	20.9"	5.5"	3.2"	3.7"	5.5"	2.4"	1.0"	1"
DEA 28 TLX	22.7"	5.5"	3.2"	3.8"	5.9"	2.9"	1.0"	1"
DEA 47 TLX	23.5"	5.5"	3.2"	3.9"	6.4"	3.4"	1.6"	1 1/2"
DEA 65 TLX	25.4"	5.5"	3.2"	4.7"	8.6"	3.8"	1.7"	1 1/2"

Type	A	B	C	D	E	F	G	□ inch
DEM 08 TLX	19.1"	5.5"	3.2"	2.9"	4.9"	2.2"	0.9"	3/4"
DEM 12 TLX	19.3"	5.5"	3.2"	2.9"	5.1"	2.4"	1.0"	1"
DEM 17 TLX	19.5"	5.5"	3.2"	3.7"	5.5"	2.4"	1.0"	1"
DEM 28 TLX	21.4"	5.5"	3.2"	3.8"	5.9"	2.8"	1.0"	1"
DEM 47 TLX	22.2"	5.5"	3.2"	3.9"	6.4"	3.3"	1.6"	1 1/2"
DEM 65 TLX	24.0"	5.5"	3.2"	4.7"	8.6"	3.8"	1.7"	1 1/2"

power spectrum

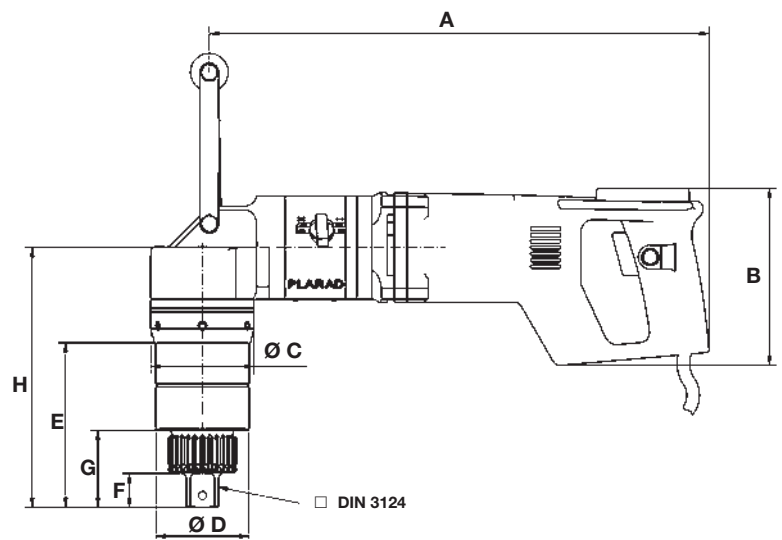
Type	Torque range	Speed idling (U/min)	Speed loaded (U/min)	Weight
DEA 08 TLX	180 – 600 ft lbs	80,0	13,4	15,0 lb
DEA 12 TLX	220 – 900 ft lbs	41,0	6,9	15,2 lb
DEA 17 TLX	330 – 1,290 ft lbs	33,8	5,7	17,4 lb
DEA 28 TLX	590 – 2,100 ft lbs	12,9	2,2	21,4 lb
DEA 47 TLX	1,100 – 3,460 ft lbs	8,3	1,4	22,9 lb
DEA 65 TLX	1,330 – 4,800 ft lbs	4,6	1,3	32,8 lb

Type	Torque range	Speed idling 1. (U/min)	Speed idling 2. (U/min)	Weight
DEM 08 TLX	70 – 600 ft lbs	64,0	20,3	13,9 lb
DEM 12 TLX	150 – 900 ft lbs	32,9	10,4	13,9 lb
DEM 17 TLX	180 – 1,290 ft lbs	27,0	8,6	15,2 lb
DEM 28 TLX	370 – 2,100 ft lbs	10,3	3,3	19,6 lb
DEM 47 TLX	590 – 3,460 ft lbs	6,7	2,1	20,9 lb
DEM 65 TLX	890 – 4,800 ft lbs	6,1	1,9	30,6 lb

On request available up to 12,000 Nm. Weight without reaction arm.

DEAW/DEMW

All types available
also in steel version.



dimensions (inch)

Type	A	B	C	D	E	F	G	H
DEAW 08 TLX	17.3"	5.5"	3.2"	2.9"	4.9"	2.2"	0.9"	8"
DEAW 12 TLX	17.3"	5.5"	3.2"	2.9"	5.1"	2.4"	1.0"	8.1"
DEAW 17 TLX	17.3"	5.5"	3.2"	3.7"	5.5"	2.4"	1.0"	8.4"
DEAW 28 TLX	17.3"	5.5"	3.2"	3.8"	5.9"	2.9"	1.0"	10.3"
DEAW 47 TLX	17.3"	5.5"	3.2"	3.9"	6.4"	3.4"	1.6"	10.4"
DEAW 65 TLX	17.3"	5.5"	3.2"	4.7"	8.6"	3.8"	1.7"	12.4"

Type	A	B	C	D	E	F	G	H
DEMW 08 TLX	16"	5.5"	3.2"	2.9"	4.9"	2.2"	0.9"	8"
DEMW 12 TLX	16"	5.5"	3.2"	2.9"	5.1"	2.4"	1.0"	8.1"
DEMW 17 TLX	16"	5.5"	3.2"	3.7"	5.5"	2.4"	1.0"	8.4"
DEMW 28 TLX	16"	5.5"	3.2"	3.8"	5.9"	2.9"	1.0"	10.3"
DEMW 47 TLX	16"	5.5"	3.2"	3.9"	6.4"	3.4"	1.6"	10.4"
DEMW 65 TLX	16"	5.5"	3.2"	4.7"	8.6"	3.8"	1.7"	12.4"

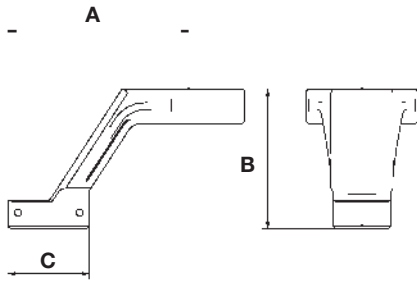
power spectrum

Type	Torque range	Rotation speed* (U/min)	Output drive □ (Zoll/inch)	Weight*
DEAW 08 TLX	180 – 600 ft lbs	60,0	3/4"	19,0 lb
DEAW 12 TLX	220 – 900 ft lbs	31,0	1"	19,4 lb
DEAW 17 TLX	370 – 1,290 ft lbs	26,0	1"	21,2 lb
DEAW 28 TLX	590 – 2,100 ft lbs	10,0	1"	23,6 lb
DEAW 47 TLX	960 – 3,460 ft lbs	6,0	1 1/2"	26,2 lb
DEAW 65 TLX	1,330 – 4,800 ft lbs	5,0	1 1/2"	36,6 lb

Type	Torque range	Rotation speed* (U/min)	Output drive □ (Zoll/inch)	Weight*
DEMW 08 TLX	70 – 600 ft lbs	48,0	3/4"	17,0 lb
DEMW 12 TLX	150 – 900 ft lbs	25,0	1"	17,4 lb
DEMW 17 TLX	180 – 1,290 ft lbs	20,0	1"	19,6 lb
DEMW 28 TLX	370 – 2,100 ft lbs	8,0	1"	21,6 lb
DEMW 47 TLX	590 – 3,460 ft lbs	5,0	1 1/2"	23,2 lb
DEMW 65 TLX	890 – 4,800 ft lbs	4,0	1 1/2"	34,6 lb

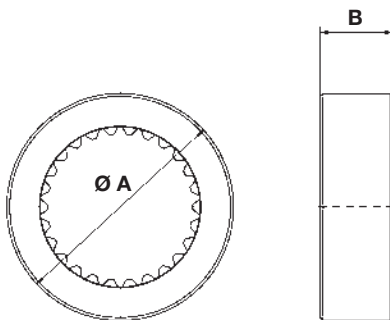
* With input speed 14.000 rpm. Weight without reaction arm.

Standard reaction arm



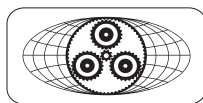
Type	A	B	C	Weight	code no.
DEA/M 08 TLX/TSX	4.3"	3.1"	2"	0,6 lb	F16-003-3-00103
DEA/M 12 TLX/TSX	5.1"	3.9"	2.4"	1,3 lb	F16-010-3-12203
DEA/M 17 TLX/TSX	5.1"	3.9"	2.4"	1,3 lb	F16-010-3-12203
DEA/M 28 TLX/TSX	6.7"	5.1"	2.4"	2,2 lb	F16-025-3-00106
DEA/M 47 TLX/TSX	6.7"	5.1"	2.4"	2,2 lb	F16-045-3-03605
DEA/M 65 TLX/TSX	7.5"	5.9"	3.1"	4,4 lb	F16-060-3-02901

Welding ring for reaction arms



Type	A	B	Weight	code no.
DEA/M 08 TLX/TSX	3"	1"	1,1 lb	F17-010-3-12401
DEA/M 12 TLX/TSX	3"	1"	1,1 lb	F17-010-3-12401
DEA/M 17 TLX/TSX	3"	1"	1,1 lb	F17-010-3-12401
DEA/M 28 TLX/TSX	3.9"	1.3"	2,4 lb	F16-045-3-02101
DEA/M 47 TLX/TSX	3.9"	1.3"	2,4 lb	F16-045-3-02101
DEA/M 65 TLX/TSX	4.3"	2"	3,7 lb	F08-060-3-01401

PLARAD[®]
Torque & Tension Systems



**Maschinenfabrik Wagner
GmbH & Co.KG**
Birrenbachshöhe
D-53804 Much • Germany

Tel. national: (02245) 62 – 0
Fax national: (02245) 62 – 66
E-Mail: info@plarad.com
Web: <http://www.plarad.com>

Phone international: +49 (0)2245 62 – 10
Fax international: +49 (0)2245 62 – 22
Copyright: Reprints and copies, including extracts, may only be made subsequent to express, written permission.