

**Antriebe, Ratschenköpfe und Abstützungen**  
**Drive units, ratchet heads and reaction arms**

**FSX**



## **Technische Daten** ***Technical data***

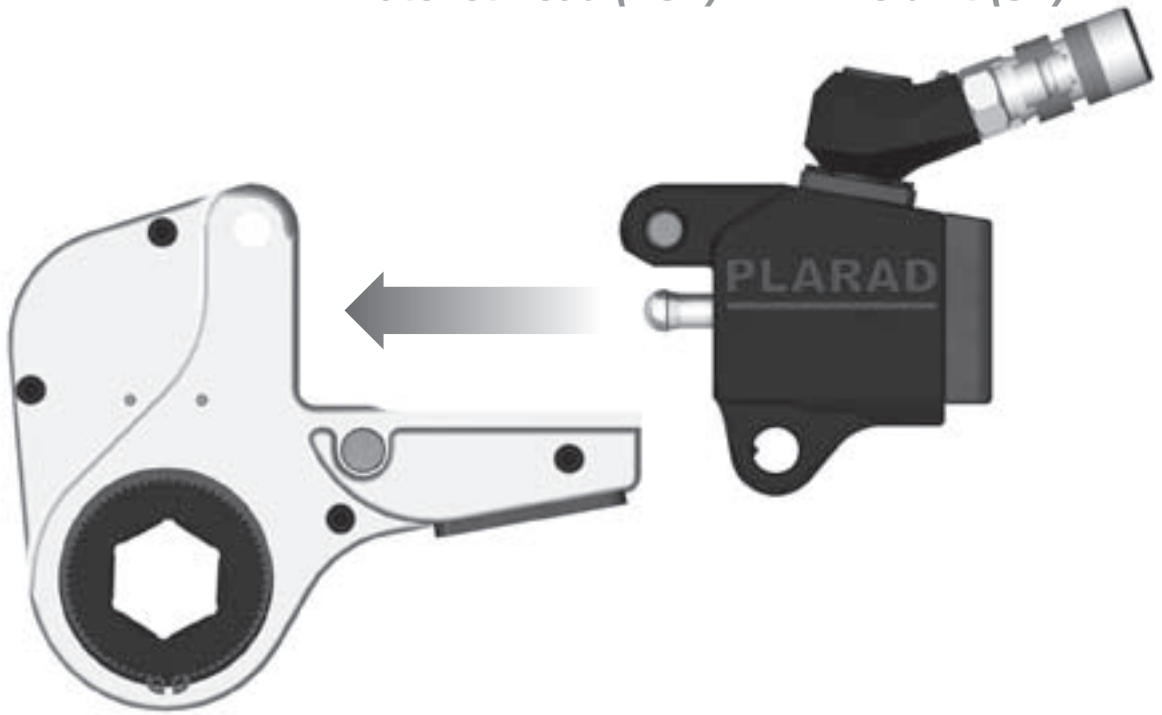
**Maßsystem Metrisch · *Metric system***



**PLARAD**

**FSX**

= **Ratschenkopf (HSX) + Antriebseinheit (SX)**  
*Ratchet head (HSX) + Drive unit (SX)*



### Ratschenkopf • Ratchet head

Ratschenkopf  
ratchet head

Max. SW (mm)  
max. A/F (mm)

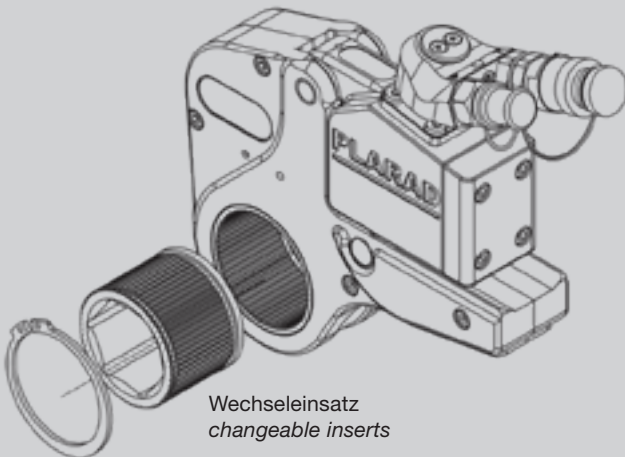
**HSX 550 F**

Für Antrieb Leistungsklasse 5  
for drive unit performance-class 5

Fix:  
Fester Einsatz  
fixed insert

Wechseleinsatz  
changeable inserts

**HSX 550 W**



Wechseleinsatz  
changeable inserts

### Antriebseinheit • Drive unit

Antriebseinheit  
drive unit

hinten:  
Anschluss hinten  
connection at the back

**SX 1 MF-H**

Leistungsklasse  
performance-class

Fix:  
starrer Anschluss  
fixed hose connection



Mono:  
Einschlauch-  
Variante  
single hose

oben:  
Anschluss oben  
connection on top

**SX 1 MS-O**

Swivel:  
360° drehbarer Anschluss  
360° turnable hose connection



Economy

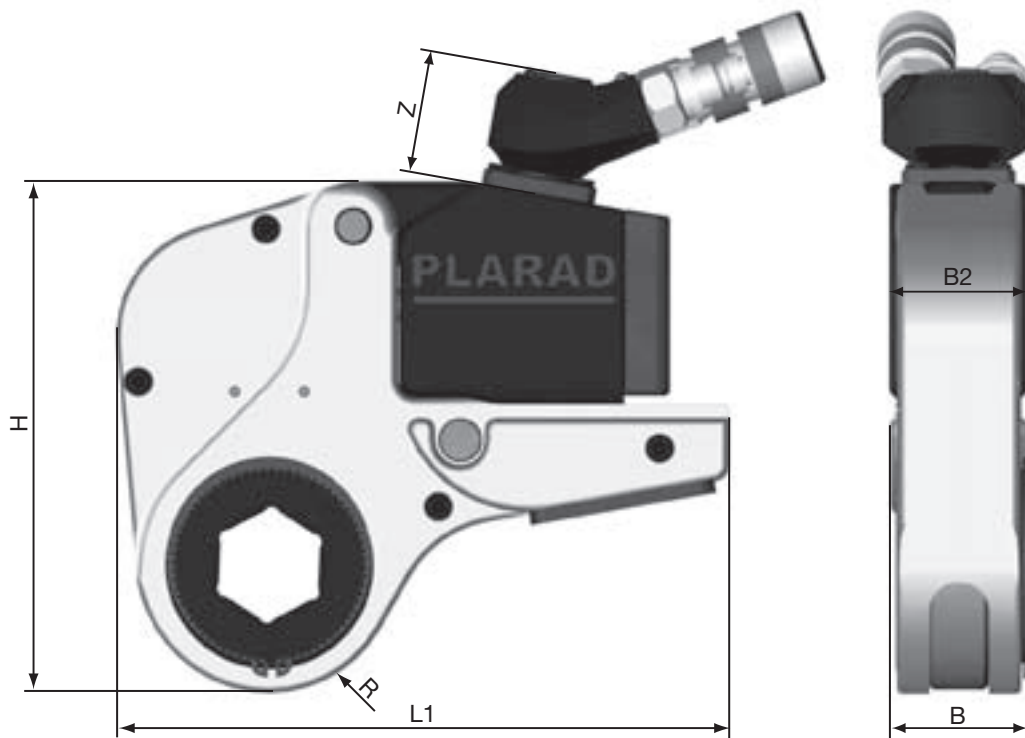
Twin:  
Zweischlauch-Variante  
twin hose version

**SX-EC 2 TS**



konventionelle Baureihe  
conventional series

**SX 20 TST**



## SX - EC 1

Antriebseinheit Drive unit		Code Nr. Code no.	Leistungsbereich Performance range			B2 B2	Gewicht Weight		
SX - EC 1 MF		G52-010-0-00114	100 - 1.000 Nm			42 mm	1,0 kg		

Ratschenkopf Ratchet head	Code Nr. Code no.	SW (mm) A/F (mm)	L1 L1 (mm)	B B (mm)	H H (mm)	Z Z (mm)	R R (mm)	MT <sub>max</sub> MT <sub>max</sub> (Nm)	Gewicht Weight (kg)
HSX 127 F	G51-010-0-00120	27	149	32,5	111	40	24,0	800	0,7
HSX 136 F	G51-010-0-00320	36	149	32,5	116	40	29,5	1.000	0,8
HSX 141 F	G51-010-0-00220	41	149	32,5	119	40	32,0	1.000	0,9

## SX - EC 2

Antriebseinheit Drive unit		Code Nr. Code no.	Leistungsbereich Performance range			B2 B2	Gewicht Weight		
SX - EC 2 TS		G52-025-0-00840	250 - 2.500 Nm			41 mm	1,3 kg		
SX - EC 2 MS-O		G52-025-0-00740	250 - 2.500 Nm			39,5 mm	1,0 kg		
SX - EC 2 MS-H		G52-025-0-00340	250 - 2.500 Nm			39,5 mm	1,0 kg		
SX - EC 2 MF		G52-025-0-00440	250 - 2.500 Nm			39,5 mm	0,8 kg		

Ratschenkopf Ratchet head	Code Nr. Code no.	SW (mm) A/F (mm)	L1 L1 (mm)	B B (mm)	H H (mm)	Z Z (mm)	R R (mm)	MT <sub>max</sub> MT <sub>max</sub> (Nm)	Gewicht Weight (kg)
HSX 224 F	G51-025-0-00125	max. 24	173	34,5	124,5	40	21,5	750	1,25
HSX 230 F	G51-025-0-00225	max. 30	173	34,5	128,5	40	25,5	1.050	1,25
HSX 232 F	G51-025-0-00325	max. 32	173	34,5	130,5	40	27,5	1.250	1,35
HSX 236 F	G51-025-0-00425	max. 36	173	34,5	133,5	40	30,0	1.500	1,35
HSX 241 F	G51-025-0-00525	max. 41	173	34,5	137,0	40	34,0	2.000	1,45
HSX 246 F	G51-025-0-00725	max. 46	173	34,5	141,0	40	38,0	2.350	1,45
HSX 250 F	G51-025-0-00825	max. 50	173	34,5	143,5	40	40,0	2.500	1,45
HSX 255 F	G51-025-0-00121	max. 55	173	34,5	146,5	40	43,5	2.500	1,45
HSX 260 F	G51-025-0-01025	max. 60	175	34,5	153,5	40	45,5	2.500	1,50
HSX 265 F	G51-025-0-01810	65	179	34,5	158,5	40	48,0	2.500	1,55
HSX 270 F	G51-025-0-05710	70	180	34,5	163,0	40	53,0	2.500	1,75

<b>Ratschenkopf</b> <i>Ratched head</i>	Sechskanteinsatz Hexagon key insert	Code Nr. Code no.	SW (mm) A/F (mm)	Bemerkung notice
<b>HSX 224 F</b>	HX 224 H 20 M	F93-060-9-02026	20	
	HX 224 H 24 M	F93-060-9-02426	24	
<b>HSX 230 F</b>	HX 230 H 24 M	F93-072-9-02407	24	
	HX 230 H 30 M	F93-072-9-03007	30	
<b>HSX 232 F</b>	HX 232 H 24 M	F93-076-9-02452	24	
	HX 232 H 27 M	F93-076-9-02752	27	
	HX 232 H 32 M	F93-076-9-03252	32	
<b>HSX 236 F</b>	HX 236 H 24 M	F93-050-9-02407	24	
	HX 236 H 27 M	F93-050-9-02707	27	
	HX 236 H 30 M	F93-050-9-03007	30	
	HX 236 H 32 M	F93-050-9-03207	32	
	HX 236 H 36 M	F93-050-9-03607	36	
<b>HSX 241 F</b>	HX 241 H 27 M	F93-056-9-02755	27	
	HX 241 H 30 M	F93-056-9-03055	30	
	HX 241 H 32 M	F93-056-9-03255	32	
	HX 241 H 36 M	F93-056-9-03655	36	
	HX 241 H 41 M	F93-056-9-04155	41	
<b>HSX 246 F</b>	HX 246 H 30 M	F93-062-9-03002	30	
	HX 246 H 32 M	F93-062-9-03202	32	
	HX 246 H 36 M	F93-062-9-03602	36	
	HX 246 H 41 M	F93-062-9-04102	41	
	HX 246 H 46 M	F93-062-9-04602	46	
<b>HSX 250 F</b>	HX 250 H 30 M	F93-068-9-03005	30	
	HX 250 H 32 M	F93-068-9-03205	32	
	HX 250 H 36 M	F93-068-9-03605	36	
	HX 250 H 41 M	F93-068-9-04105	41	
	HX 250 H 46 M	F93-068-9-04605	46	
	HX 250 H 50 M	F93-068-9-05005	50	
<b>HSX 255 F</b>	HX 255 H 36 M	F93-072-9-03606	36	
	HX 255 H 41 M	F93-072-9-04106	41	
	HX 255 H 46 M	F93-072-9-04606	46	
	HX 255 H 50 M	F93-072-9-05006	50	
	HX 255 H 55 M	F93-072-9-05506	55	
<b>HSX 260 F</b>	HX 260 H 36 M	F93-078-9-03604	36	
	HX 260 H 41 M	F93-078-9-04104	41	
	HX 260 H 46 M	F93-078-9-04604	46	
	HX 260 H 50 M	F93-078-9-05004	50	
	HX 260 H 55 M	F93-078-9-05504	55	
	HX 260 H 58 M	F93-078-9-05804	58	
	HX 260 H 60 M	F93-078-9-06004	60	

Ratschenkopf Ratchet head	Code Nr. Code no.	SW (") A/F (")	L1 L1 (mm)	B B (mm)	H H (mm)	Z Z (mm)	R R (mm)	MT <sub>max</sub> MT <sub>max</sub> (Nm)	Gewicht Weight (kg)
HSX 224 F	G51-025-0-00126	15/16"	173	34,5	124,5	40	21,5	750	1,25
HSX 230 F	G51-025-0-00226	1 1/8"	173	34,5	128,5	40	25,5	1.050	1,25
HSX 232 F	G51-025-0-00326	1 1/4"	173	34,5	130,5	40	27,5	1.250	1,35
HSX 236 F	G51-025-0-00426	1 3/8"	173	34,5	133,5	40	30,0	1.500	1,35
HSX 241 F	G51-025-0-00526	1 9/16"	173	34,5	137,0	40	34,0	2.000	1,45
HSX 246 F	G51-025-0-00726	1 13/16"	173	34,5	141,0	40	38,0	2.350	1,45
HSX 250 F	G51-025-0-00826	1 15/16"	173	34,5	143,5	40	40,0	2.500	1,45
HSX 255 F	G51-025-0-00926	2 1/8"	173	34,5	146,5	40	43,5	2.500	1,45
HSX 260 F	G51-025-0-01026	2 3/8"	175	34,5	153,5	40	45,5	2.500	1,50
HSX 265 F	G51-025-0-01526	2 1/2"	179	34,5	158,5	40	48,0	2.500	1,55

<b>Ratschenkopf</b> <i>Ratched head</i>	Sechskanteinsatz Hexagon key insert	Code Nr. Code no.	SW (") A/F (")	Bemerkung notice
<b>HSX 241 F</b>	HX 241 H 156	F93-056-9-04056	1 <sup>9</sup> / <sub>16</sub> "	
<b>HSX 246 F</b>	HX 246 H 181	F93-062-9-04702	1 <sup>13</sup> / <sub>16</sub> "	
<b>HSX 250 F</b>	HX 250 H 200	F93-068-9-05106	1 <sup>15</sup> / <sub>16</sub> "	
<b>HSX 255 F</b>	HX 255 H 163	F93-072-9-04109	1 <sup>5</sup> / <sub>8</sub> "	
	HX 255 H 169	F93-072-9-04309	1 <sup>11</sup> / <sub>16</sub> "	
	HX 255 H 175	F93-072-9-04509	1 <sup>3</sup> / <sub>4</sub> "	
	HX 255 H 181	F93-072-9-04609	1 <sup>13</sup> / <sub>16</sub> "	
	HX 255 H 188	F93-072-9-04809	1 <sup>7</sup> / <sub>8</sub> "	
	HX 255 H 194	F93-072-9-04909	1 <sup>15</sup> / <sub>16</sub> "	
	HX 255 H 200	F93-072-9-05109	2"	
	HX 255 H 206	F93-072-9-05209	2 <sup>1</sup> / <sub>16</sub> "	
	HX 255 H 213	F93-072-9-05409	2 <sup>1</sup> / <sub>8</sub> "	
	HX 255 H 219	F93-072-9-05609	2 <sup>3</sup> / <sub>16</sub> "	
<b>HSX 255 F</b>	HX 260 H 238	F93-078-9-06104	2 <sup>3</sup> / <sub>8</sub> "	

Ratschenkopf Ratchet head	Code Nr. Code no.	SW (mm) A/F (mm)	L1 L1 (mm)	B B (mm)	H H (mm)	Z Z (mm)	R R (mm)	MT <sub>max</sub> MT <sub>max</sub> (Nm)	Gewicht Weight (kg)
HSX 224 W	G51-025-0-00824	max. 24	173	37,9	128,5	40	25,5	1.050	1,55
HSX 227 W	G51-025-0-00124	max. 27	173	37,9	134,0	40	27,5	1.250	1,55
HSX 232 W	G51-025-0-00224	max. 32	173	38,2	133,0	40	30,0	1.500	1,55
HSX 236 W	G51-025-0-00324	max. 36	171	38,5	143,5	40	37,0	2.500	1,65
HSX 241 W	G51-025-0-00424	max. 41	173	38,5	141,0	40	38,0	2.350	1,75
HSX 246 W	G51-025-0-00524	max. 46	173	38,5	148,0	40	41,5	2.500	1,75
HSX 250 W	G51-025-0-00624	max. 50	173	39,0	150,0	40	43,5	2.500	1,85
HSX 255 W	G51-025-0-00724	max. 55	175	39,0	153,5	40	45,5	2.500	1,90

<b>Ratschenkopf</b> <i>Ratched head</i>	Wechseleinsatz Changeable insert	Code Nr. Code no.	SW (mm) A/F (mm)	Bemerkung notice
<b>HSX 224 W</b>	HXW 224 H 20 M	F93-034-9-02015	20	
	HXW 224 H 22 M	F93-034-9-02215	22	
	HXW 224 H 24 M	F93-034-9-02415	24	
<b>HSX 232 W</b>	HXW 232 H 20 M	F93-041-9-02031	20	
	HXW 232 H 24 M	F93-041-9-02431	24	
	HXW 232 H 27 M	F93-041-9-02731	27	
	HXW 232 H 30 M	F93-041-9-03031	30	
	HXW 232 H 32 M	F93-041-9-03231	32	
<b>HSX 236 W</b>	HXW 236 H 24 M	F93-048-9-02465	24	
	HXW 236 H 27 M	F93-048-9-02765	27	
	HXW 236 H 30 M	F93-048-9-03065	30	
	HXW 236 H 32 M	F93-048-9-03265	32	
	HXW 236 H 36 M	F93-048-9-03665	36	
<b>HSX 241 W</b>	HXW 241 H 24 M	F93-052-9-02405	24	
	HXW 241 H 27 M	F93-052-9-02705	27	
	HXW 241 H 30 M	F93-052-9-03005	30	
	HXW 241 H 32 M	F93-052-9-03205	32	
	HXW 241 H 36 M	F93-052-9-03605	36	
	HXW 241 H 41 M	F93-052-9-04105	41	
<b>HSX 246 W</b>	HXW 246 H 30 M	F93-058-9-03006	30	
	HXW 246 H 32 M	F93-058-9-03206	32	
	HXW 246 H 36 M	F93-058-9-03606	36	
	HXW 246 H 41 M	F93-058-9-04106	41	
	HXW 246 H 46 M	F93-058-9-04606	46	

<b>Ratschenkopf</b> <i>Ratched head</i>	Wechseleinsatz Changeable insert	Code Nr. Code no.	SW (mm) A/F (mm)	Bemerkung notice
<b>HSX 250 W</b>	HXW 250 H 24 M	F93-062-9-02401	24	
	HXW 250 H 27 M	F93-062-9-02701	27	
	HXW 250 H 30 M	F93-062-9-03001	30	
	HXW 250 H 32 M	F93-062-9-03201	32	
	HXW 250 H 36 M	F93-062-9-03601	36	
	HXW 250 H 41 M	F93-062-9-04101	41	
	HXW 250 H 46 M	F93-062-9-04601	46	
	HXW 250 H 50 M	F93-062-9-05001	50	
<b>HSX 255 W</b>	HXW 255 H 32 M	F93-068-9-03203	32	
	HXW 255 H 36 M	F93-068-9-03603	36	
	HXW 255 H 41 M	F93-068-9-04103	41	
	HXW 255 H 46 M	F93-068-9-04603	46	
	HXW 255 H 50 M	F93-068-9-05003	50	
	HXW 255 H 55 M	F93-068-9-05503	55	

Ratschenkopf Ratchet head	Code Nr. Code no.	SW (") A/F (")	L1 L1 (mm)	B B (mm)	H H (mm)	Z Z (mm)	R R (mm)	MT <sub>max</sub> MT <sub>max</sub> (Nm)	Gewicht Weight (kg)
HSX 224 W	G51-025-0-00824	max. 15/16"	173	37,9	128,5	40	25,5	1.050	1,55
HSX 227 W	G51-025-0-00124	max. 1 1/16"	173	37,9	134,0	40	27,5	1.250	1,55
HSX 232 W	G51-025-0-00224	max. 1 1/4"	173	38,2	133,0	40	30,0	1.500	1,55
HSX 236 W	G51-025-0-00324	max. 1 3/8"	171	38,5	143,5	40	37,0	2.500	1,65
HSX 241 W	G51-025-0-00424	max. 1 9/16"	173	38,5	141,0	40	38,0	2.350	1,75
HSX 246 W	G51-025-0-00524	max. 1 13/16"	173	38,5	148,0	40	41,5	2.500	1,75
HSX 250 W	G51-025-0-00624	max. 1 15/16"	173	39,0	150,0	40	43,5	2.500	1,85
HSX 255 W	G51-025-0-00724	max. 2 1/8"	175	39,0	153,5	40	45,5	2.500	1,90

<b>Ratschenkopf</b> <i>Ratched head</i>	Wechseleinsatz Changeable insert	Code Nr. Code no.	SW (") A/F (")	Bemerkung notice
<b>HSX 236 W</b>	HXW 236 H 106	F93-048-9-02766	1 1/16"	
	HXW 236 H 113	F93-048-9-02966	1 1/8"	
	HXW 236 H 119	F93-048-9-03066	1 3/16"	
	HXW 236 H 125	F93-048-9-03266	1 1/4"	
	HXW 236 H 131	F93-048-9-03366	1 5/16"	
	HXW 236 H 136	F93-048-9-03566	1 3/8"	
	<b>HSX 241 W</b>	HXW 241 H 150	F93-052-9-03805	1 1/2"
<b>HSX 246 W</b>	HXW 246 H 131	F93-058-9-03306	1 5/16"	
<b>HSX 250 W</b>	HXW 250 H 119	F93-062-9-03003	1 3/16"	
	HXW 250 H 125	F93-062-9-03203	1 1/4"	
	HXW 250 H 131	F93-062-9-03303	1 5/16"	
	HXW 250 H 138	F93-062-9-03503	1 3/8"	
	HXW 250 H 144	F93-062-9-03703	1 7/16"	
	HXW 250 H 150	F93-062-9-03803	1 1/2"	
	HXW 250 H 156	F93-062-9-04003	1 9/16"	
	HXW 250 H 163	F93-062-9-04103	1 5/8"	
	HXW 250 H 169	F93-062-9-04303	1 11/16"	
	HXW 250 H 175	F93-062-9-04503	1 3/4"	
	HXW 250 H 181	F93-062-9-04603	1 13/16"	
	HXW 250 H 188	F93-062-9-04803	1 7/8"	
	HXW 250 H 194	F93-062-9-04903	1 15/16"	
<b>HSX 255 W</b>	HXW 255 H 188	F93-068-9-04808	1 7/8"	
	HXW 255 H 200	F93-068-9-05108	2"	
	HXW 255 H 213	F93-068-9-05408	2 1/8"	

## SX - EC 5

Antriebseinheit Drive unit	Code Nr. Code no.	Leistungsbereich Performance range	B2 B2	Gewicht Weight
SX - EC 5 TS	G52-050-0-00540	500 - 5.500 Nm	50 mm	3,2 kg
SX - EC 5 MS-O	G52-050-0-00220	500 - 5.500 Nm	50 mm	2,0 kg
SX - EC 5 MS-H	G52-050-0-00520	500 - 5.500 Nm	50 mm	2,0 kg
SX - EC 5 MF	G52-050-0-00320	500 - 5.500 Nm	50 mm	1,9 kg

Ratschenkopf Ratchet head	Code Nr. Code no.	SW (mm) A/F (mm)	L1 L1 (mm)	B B (mm)	H H (mm)	Z Z (mm)	R R (mm)	MT <sub>max</sub> MT <sub>max</sub> (Nm)	Gewicht Weight (kg)
HSX 532 F	G51-050-0-00125	32	215,0	45	165,5	36,5	27,5	1.750	2,45
HSX 536 F	G51-050-0-01325	36	215,0	45	168,5	36,5	30,5	2.000	2,50
HSX 541 F	G51-050-0-00225	41	221,0	45	172,5	36,5	34,5	2.700	2,55
HSX 546 F	G51-050-0-00325	46	220,0	45	175,5	36,5	37,5	3.100	2,55
HSX 550 F	G51-050-0-00425	50	221,0	45	178,0	36,5	40,0	4.100	2,65
HSX 555 F	G51-050-0-00121	55	221,0	45	184,0	36,5	46,0	5.500	2,65
HSX 560 F	G51-050-0-00525	60	221,0	45	186,0	36,5	48,0	5.500	2,75
HSX 565 F	G51-050-0-00625	65	227,5	45	188,0	36,5	50,0	5.500	2,75
HSX 570 F	G51-050-0-00221	70	227,5	45	193,5	36,5	55,5	5.500	2,75
HSX 575 F	G51-050-0-01225	75	228,0	45	200,5	36,5	56,5	5.500	2,85
HSX 580 F	G51-050-0-00852	80	228,0	45	202,0	36,5	58,5	5.500	2,85
HSX 585 F	G51-050-0-01425	85	233,0	45	207,0	36,5	63,0	5.500	3,0

Ratschenkopf <i>Ratched head</i>	Sechskanteinsatz Hexagon key insert	Code Nr. Code no.	SW (mm) A/F (mm)	Bemerkung notice
<b>HSX 532 F</b>	HX 532 H 32 M	F93-076-9-03253	32	
<b>HSX 536 F</b>	HX 536 H 36 M	F93-050-9-03608	36	
<b>HSX 541 F</b>	HX 541 H 36 M	F93-092-9-03614	36	
	HX 541 H 41 M	F93-092-9-04114	41	
<b>HSX 546 F</b>	HX 546 H 30 M	F93-062-9-03004	30	
	HX 546 H 41 M	F93-062-9-04104	41	
	HX 546 H 46 M	F93-062-9-04604	46	
<b>HSX 550 F</b>	HX 550 H 32 M	F93-068-9-03202	32	
	HX 550 H 36 M	F93-068-9-03602	36	
	HX 550 H 41 M	F93-068-9-04102	41	
	HX 550 H 46 M	F93-068-9-04602	46	
	HX 550 H 50 M	F93-068-9-05002	50	
<b>HSX 555 F</b>	HX 555 H 30 M	F93-074-9-03013	30	
	HX 555 H 32 M	F93-074-9-03213	32	
	HX 555 H 36 M	F93-074-9-03613	36	
	HX 555 H 41 M	F93-074-9-04113	41	
	HX 555 H 46 M	F93-074-9-04613	46	
	HX 555 H 50 M	F93-074-9-05013	50	
	HX 555 H 51 M	F93-074-9-05113	51	
	HX 555 H 55 M	F93-074-9-05522	55	
HX 560 H 55 M	F93-080-9-05501	55		
	HX 560 H 58 M	F93-080-9-05801	58	
	HX 560 H 60 M	F93-080-9-06001	60	
HX 565 H 46 M	F93-085-9-04600	46		
	HX 565 H 55 M	F93-085-9-05500	55	
	HX 565 H 60 M	F93-085-9-06000	60	
	HX 565 H 63 M	F93-085-9-06300	63	
	HX 565 H 65 M	F93-085-9-06500	65	

<b>Ratschenkopf</b> <i>Ratched head</i>	Sechskanteinsatz Hexagon key insert	Code Nr. Code no.	SW (mm) A/F (mm)	Bemerkung notice
<b>HSX 560 F</b>	HX 560 H 55 M	F93-080-9-05501	55	
	HX 560 H 58 M	F93-080-9-05801	58	
	HX 560 H 60 M	F93-080-9-06001	60	
<b>HSX 565 F</b>	HX 565 H 46 M	F93-085-9-04600	46	
	HX 565 H 55 M	F93-085-9-05500	55	
	HX 565 H 60 M	F93-085-9-06000	60	
	HX 565 H 63 M	F93-085-9-06300	63	
	HX 565 H 65 M	F93-085-9-06500	65	
<b>HSX 570 F</b>	HX 570 H 55 M	F93-092-9-05512	55	
	HX 570 H 60 M	F93-092-9-06012	60	
	HX 570 H 65 M	F93-092-9-06512	65	
	HX 570 H 70 M	F93-092-9-07012	70	
	HX 570 H 71 M	F93-092-9-07112	71	
<b>HSX 575 F</b>	HX 575 H 60 M	F93-097-9-06000	60	
	HX 575 H 65 M	F93-097-9-06500	65	
	HX 575 H 75 M	F93-097-9-07500	75	
<b>HSX 580 F</b>	HX 580 H 75 M	F93-102-9-07505	75	
	HX 580 H 77 M	F93-102-9-07705	77	
	HX 580 H 80 M	F93-102-9-08005	80	

Ratschenkopf Ratchet head	Code Nr. Code no.	SW (") A/F (")	L1 L1 (mm)	B B (mm)	H H (mm)	Z Z (mm)	R R (mm)	MT <sub>max</sub> MT <sub>max</sub> (Nm)	Gewicht Weight (kg)
HSX 532 F	G51-050-0-00127	1 <sup>1</sup> / <sub>4</sub> "	215,0	45	165,5	36,5	27,5	1.750	2,45
HSX 536 F	G51-050-0-01327	1 <sup>3</sup> / <sub>8</sub> "	215,0	45	168,5	36,5	30,5	2.000	2,50
HSX 541 F	G51-050-0-00227	1 <sup>9</sup> / <sub>16</sub> "	221,0	45	172,5	36,5	34,5	2.700	2,55
HSX 546 F	G51-050-0-00327	1 <sup>13</sup> / <sub>16</sub> "	220,0	45	175,5	36,5	37,5	3.100	2,55
HSX 550 F	G51-050-0-00427	1 <sup>15</sup> / <sub>16</sub> "	221,0	45	178,0	36,5	40,0	4.100	2,65
HSX 555 F	G51-050-0-00727	2 <sup>1</sup> / <sub>8</sub> "	221,0	45	184,0	36,5	46,0	5.500	2,65
HSX 560 F	G51-050-0-00527	2 <sup>1</sup> / <sub>4</sub> "	221,0	45	186,0	36,5	48,0	5.500	2,75
HSX 565 F	G51-050-0-00627	2 <sup>1</sup> / <sub>2</sub> "	227,5	45	188,0	36,5	50,0	5.500	2,75
HSX 570 F	G51-050-0-00927	2 <sup>3</sup> / <sub>4</sub> "	227,5	45	193,5	36,5	55,5	5.500	2,75
HSX 575 F	G51-050-0-01227	2 <sup>15</sup> / <sub>16</sub> "	228,0	45	200,5	36,5	56,5	5.500	2,85
HSX 580 F	G51-050-0-00827	3 <sup>1</sup> / <sub>8</sub> "	228,0	45	202,0	36,5	58,5	5.500	2,85
HSX 585 F	G51-050-0-02325	3 <sup>1</sup> / <sub>4</sub> "	233,0	45	207,0	36,5	63,0	5.500	3,0

<b>Ratschenkopf</b> <i>Ratched head</i>	Wechseleinsatz Changeable insert	Code Nr. Code no.	SW (") A/F (")	Bemerkung notice
<b>HSX 541 F</b>	HX 541 H 156	F93-092-9-04014	1 <sup>9</sup> / <sub>16</sub> "	
<b>HSX 555 F</b>	HX 555 H 163	F93-074-9-04116	1 <sup>5</sup> / <sub>8</sub> "	
	HX 555 H 169	F93-074-9-04316	1 <sup>11</sup> / <sub>16</sub> "	
	HX 555 H 175	F93-074-9-04516	1 <sup>3</sup> / <sub>4</sub> "	
	HX 555 H 181	F93-074-9-04616	1 <sup>13</sup> / <sub>16</sub> "	
	HX 555 H 188	F93-074-9-04816	1 <sup>7</sup> / <sub>8</sub> "	
	HX 555 H 194	F93-074-9-04916	1 <sup>15</sup> / <sub>16</sub> "	
	HX 555 H 200	F93-074-9-05116	2"	
	HX 555 H 206	F93-074-9-05216	2 <sup>1</sup> / <sub>16</sub> "	
	HX 555 H 213	F93-074-9-05416	2 <sup>1</sup> / <sub>8</sub> "	
<b>HSX 560 F</b>	HX 560 H 238	F93-080-9-06102	2 <sup>3</sup> / <sub>8</sub> "	
<b>HSX 565 F</b>	HX 565 H 250	F93-085-9-06405	2 <sup>1</sup> / <sub>2</sub> "	
	HX 565 H 256	F93-085-9-06605	2 <sup>9</sup> / <sub>16</sub> "	



<b>Ratschenkopf</b> <i>Ratched head</i>	Wechseleinsatz Changeable insert	Code Nr. Code no.	SW (") A/F (")	Bemerkung notice
<b>HSX 570 F</b>	HX 570 H 213	F93-092-9-05415	2 1/8"	
	HX 570 H 219	F93-092-9-05615	2 1/4"	
	HX 570 H 225	F93-092-9-05715	2 1/4"	
	HX 570 H 238	F93-092-9-06015	2 3/8"	
	HX 570 H 244	F93-092-9-06215	2 7/16"	
	HX 570 H 250	F93-092-9-06415	2 1/2"	
	HX 570 H 256	F93-092-9-06515	2 9/16"	
	HX 570 H 263	F93-092-9-06715	2 5/8"	
	HX 570 H 269	F93-092-9-06815	2 11/16"	
	HX 570 H 275	F93-092-9-07015	2 3/4"	
<b>HSX 580 F</b>	HX 580 H 313	F93-102-9-07905	3 1/8"	

Ratschenkopf Ratchet head	Code Nr. Code no.	SW (mm) A/F (mm)	L1 L1 (mm)	B B (mm)	H H (mm)	Z Z (mm)	R R (mm)	MT <sub>max</sub> MT <sub>max</sub> (Nm)	Gewicht Weight (kg)
HSX 536 W	G51-050-0-00124	max. 36	221,0	48,9	172,5	36,5	34,5	2.700	2,85
HSX 550 W	G51-050-0-00324	max. 50	221,0	48,9	184,0	36,5	46,0	5.000	2,95
HSX 555 W	G51-050-0-00424	max. 55	227,5	49,4	186,0	36,5	48,0	5.500	3,05
HSX 560 W	G51-050-0-00524	max. 60	227,5	49,4	189,0	36,5	51,0	5.500	3,05
HSX 565 W	G51-050-0-00624	max. 65	227,5	49,9	193,5	36,5	55,5	5.500	3,05
HSX 570 W	G51-050-0-00824	max. 70	228,0	49,9	200,5	36,5	56,5	5.500	3,25
HSX 575 W	G51-050-0-00724	max. 75	228,0	49,9	202,0	36,5	58,5	5.500	3,25
HSX 580 W	G51-050-0-00924	max. 80	233,0	45,0	207,0	36,5	63,0	5.500	3,0

<b>Ratschenkopf</b> <i>Ratched head</i>	Sechskanteinsatz Hexagon key insert	Code Nr. Code no.	SW (mm) A/F (mm)	Bemerkung notice
<b>HSX 536 W</b>	HXW 536 H 24 M	F93-046-9-02405	24	
	HXW 536 H 27 M	F93-046-9-02705	27	
	HXW 536 H 30 M	F93-046-9-03005	30	
	HXW 536 H 32 M	F93-046-9-03205	32	
	HXW 536 H 36 M	F93-046-9-03605	36	
<b>HSX 550 W</b>	HXW 550 H 30 M	F93-063-9-03001	30	
	HXW 550 H 32 M	F93-063-9-03201	32	
	HXW 550 H 36 M	F93-063-9-03601	36	
	HXW 550 H 41 M	F93-063-9-04101	41	
	HXW 550 H 46 M	F93-063-9-04601	46	
	HXW 550 H 50 M	F93-063-9-05001	50	
<b>HSX 555 W</b>	HXW 555 H 30 M	F93-068-9-03001	30	
	HXW 555 H 32 M	F93-068-9-03201	32	
	HXW 555 H 36 M	F93-068-9-03601	36	
	HXW 555 H 41 M	F93-068-9-04101	41	
	HXW 555 H 46 M	F93-068-9-04601	46	
	HXW 555 H 50 M	F93-068-9-05001	50	
	HXW 555 H 55 M	F93-068-9-05501	55	
<b>HSX 560 W</b>	HXW 560 H 42 M	F93-076-9-04233	42	
	HXW 560 H 46 M	F93-076-9-04633	46	
	HXW 560 H 50 M	F93-076-9-05033	50	
	HXW 560 H 55 M	F93-076-9-05533	55	
	HXW 560 H 60 M	F93-076-9-06033	60	

<b>Ratschenkopf</b> <i>Ratched head</i>	Sechskanteinsatz Hexagon key insert	Code Nr. Code no.	SW (mm) A/F (mm)	Bemerkung notice
<b>HSX 565 W</b>	HXW 565 H 46 M	F93-080-9-04603	46	
	HXW 565 H 50 M	F93-080-9-05003	50	
	HXW 565 H 54 M	F93-080-9-05403	54	
	HXW 565 H 55 M	F93-080-9-05503	55	
	HXW 565 H 58 M	F93-080-9-05803	58	
	HXW 565 H 60 M	F93-080-9-06003	60	
	HXW 565 H 63 M	F93-080-9-06303	63	
	HXW 565 H 65 M	F93-080-9-06503	65	
<b>HSX 570 W</b>	HXW 570 H 46 M	F93-085-9-04601	46	
	HXW 570 H 50 M	F93-085-9-05001	50	
	HXW 570 H 55 M	F93-085-9-05501	55	
	HXW 570 H 60 M	F93-085-9-06001	60	
	HXW 570 H 65 M	F93-085-9-06501	65	
	HXW 570 H 70 M	F93-085-9-07001	70	
<b>HSX 575 W</b>	HXW 575 H 24 M	F93-092-9-02420	24	
	HXW 575 H 27 M	F93-092-9-02720	27	
	HXW 575 H 30 M	F93-092-9-03020	30	
	HXW 575 H 32 M	F93-092-9-03220	32	
	HXW 575 H 36 M	F93-092-9-03620	36	
	HXW 575 H 41 M	F93-092-9-04120	41	
	HXW 575 H 46 M	F93-092-9-04620	46	
	HXW 575 H 50 M	F93-092-9-05020	50	
	HXW 575 H 55 M	F93-092-9-05520	55	
	HXW 575 H 60 M	F93-092-9-06020	60	
	HXW 575 H 65 M	F93-092-9-06520	65	
	HXW 575 H 70 M	F93-092-9-07020	70	
	HXW 575 H 75 M	F93-092-9-07520	75	

Ratschenkopf Ratchet head	Code Nr. Code no.	SW (") A/F (")	L1 L1 (mm)	B B (mm)	H H (mm)	Z Z (mm)	R R (mm)	MT <sub>max</sub> MT <sub>max</sub> (Nm)	Gewicht Weight (kg)
HSX 536 W	G51-050-0-00124	max. 1 <sup>3</sup> / <sub>8</sub> "	221,0	48,9	172,5	36,5	34,5	2.700	2,85
HSX 550 W	G51-050-0-00324	max. 1 <sup>15</sup> / <sub>16</sub> "	221,0	48,9	184,0	36,5	46,0	5.000	2,95
HSX 555 W	G51-050-0-00424	max. 2 <sup>1</sup> / <sub>8</sub> "	227,5	49,4	186,0	36,5	48,0	5.500	3,05
HSX 560 W	G51-050-0-00524	max. 2 <sup>5</sup> / <sub>16</sub> "	227,5	49,4	189,0	36,5	51,0	5.500	3,05
HSX 565 W	G51-050-0-00624	max. 2 <sup>1</sup> / <sub>2</sub> "	227,5	49,9	193,5	36,5	55,5	5.500	3,05
HSX 570 W	G51-050-0-00824	max. 2 <sup>3</sup> / <sub>4</sub> "	228,0	49,9	200,5	36,5	56,5	5.500	3,25
HSX 575 W	G51-050-0-00724	max. 2 <sup>15</sup> / <sub>16</sub> "	228,0	49,9	202,0	36,5	58,5	5.500	3,25
HSX 580 W	G51-050-0-00924	max. 3 <sup>1</sup> / <sub>8</sub> "	233,0	45,0	207,0	36,5	63,0	5.500	3,0

<b>Ratschenkopf</b> <i>Ratched head</i>	Wechseleinsatz Changeable insert	Code Nr. Code no.	SW (") A/F (")	Bemerkung notice
<b>HSX 536 W</b>	HXW 536 H 094	F93-046-9-02406	1 <sup>5</sup> / <sub>16</sub> "	
	HXW 536 H 100	F93-046-9-02506	1"	
	HXW 536 H 106	F93-046-9-02706	1 <sup>1</sup> / <sub>16</sub> "	
	HXW 536 H 113	F93-046-9-02906	1 <sup>1</sup> / <sub>8</sub> "	
	HXW 536 H 119	F93-046-9-03006	1 <sup>3</sup> / <sub>16</sub> "	
	HXW 536 H 125	F93-046-9-03206	1 <sup>1</sup> / <sub>4</sub> "	
	HXW 536 H 131	F93-046-9-03306	1 <sup>5</sup> / <sub>16</sub> "	
	HXW 536 H 138	F93-046-9-03506	1 <sup>3</sup> / <sub>8</sub> "	
<b>HSX 550 W</b>	HXW 550 H 163	F93-063-9-04102	1 <sup>5</sup> / <sub>8</sub> "	
	HXW 550 H 169	F93-063-9-04302	1 <sup>11</sup> / <sub>16</sub> "	
	HXW 550 H 175	F93-063-9-04502	1 <sup>3</sup> / <sub>4</sub> "	
	HXW 550 H 181	F93-063-9-04602	1 <sup>13</sup> / <sub>16</sub> "	
	HXW 550 H 188	F93-063-9-04802	1 <sup>7</sup> / <sub>8</sub> "	
HXW 550 H 194	F93-063-9-04902	1 <sup>15</sup> / <sub>16</sub> "		

<b>Ratschenkopf</b> <i>Ratcheted head</i>	Wechseleinsatz Changeable insert	Code Nr. Code no.	SW (") A/F (")	Bemerkung notice
<b>HSX 555 W</b>	HXW 555 H 181	F93-068-9-04604	1 <sup>13</sup> / <sub>16</sub> "	
	HXW 555 H 188	F93-068-9-04804	1 <sup>7</sup> / <sub>8</sub> "	
	HXW 555 H 194	F93-068-9-04904	1 <sup>15</sup> / <sub>16</sub> "	
	HXW 555 H 200	F93-068-9-05104	2"	
	HXW 555 H 206	F93-068-9-05204	2 <sup>1</sup> / <sub>16</sub> "	
	HXW 555 H 213	F93-068-9-05404	2 <sup>1</sup> / <sub>8</sub> "	
	HXW 555 H 219	F93-068-9-05604	2 <sup>3</sup> / <sub>16</sub> "	
<b>HSX 560 W</b>	HXW 560 H 219	F93-076-9-05633	2 <sup>3</sup> / <sub>16</sub> "	
<b>HSX 565 W</b>	HXW 565 H 194	F93-080-9-04904	1 <sup>15</sup> / <sub>16</sub> "	
	HXW 565 H 200	F93-080-9-05104	2"	
	HXW 565 H 206	F93-080-9-05204	2 <sup>1</sup> / <sub>16</sub> "	
	HXW 565 H 213	F93-080-9-05404	2 <sup>1</sup> / <sub>8</sub> "	
	HXW 565 H 219	F93-080-9-05604	2 <sup>3</sup> / <sub>16</sub> "	
	HXW 565 H 225	F93-080-9-05704	2 <sup>1</sup> / <sub>4</sub> "	
	HXW 565 H 238	F93-080-9-06004	2 <sup>3</sup> / <sub>8</sub> "	
	HXW 565 H 244	F93-080-9-06204	2 <sup>7</sup> / <sub>16</sub> "	
	HXW 565 H 250	F93-080-9-06404	2 <sup>1</sup> / <sub>2</sub> "	
	HXW 565 H 256	F93-080-9-06504	2 <sup>9</sup> / <sub>16</sub> "	
	<b>HSX 570 W</b>	HXW 570 H 238	F93-085-9-06002	2 <sup>3</sup> / <sub>8</sub> "
HXW 570 H 256		F93-085-9-06502	2 <sup>9</sup> / <sub>16</sub> "	
HXW 570 H 263		F93-085-9-06702	2 <sup>5</sup> / <sub>8</sub> "	
HXW 570 H 269		F93-085-9-06802	2 <sup>11</sup> / <sub>16</sub> "	
HXW 570 H 275		F93-085-9-07002	2 <sup>3</sup> / <sub>4</sub> "	
<b>HSX 575 W</b>	HXW 575 H 238	F93-092-9-06022	2 <sup>3</sup> / <sub>8</sub> "	
	HXW 575 H 244	F93-092-9-06222	2 <sup>7</sup> / <sub>16</sub> "	
	HXW 575 H 250	F93-092-9-06422	2 <sup>1</sup> / <sub>2</sub> "	
	HXW 575 H 256	F93-092-9-06522	2 <sup>9</sup> / <sub>16</sub> "	
	HXW 575 H 263	F93-092-9-06722	2 <sup>5</sup> / <sub>8</sub> "	
	HXW 575 H 269	F93-092-9-06822	2 <sup>11</sup> / <sub>16</sub> "	
	HXW 575 H 275	F93-092-9-07022	2 <sup>3</sup> / <sub>4</sub> "	
	HXW 575 H 281	F93-092-9-07122	2 <sup>13</sup> / <sub>16</sub> "	
	HXW 575 H 294	F93-092-9-07522	2 <sup>15</sup> / <sub>16</sub> "	



## SX - EC 12

Antriebseinheit Drive unit	Code Nr. Code no.	Leistungsbereich Performance range	B2 B2	Gewicht Weight
SX - EC 12 TS	G52-120-0-00315	1.200 - 12.000 Nm	64 mm	3,8 kg
SX - EC 12 MS-O	G52-120-0-00115	1.200 - 12.000 Nm	64 mm	3,9 kg
SX - EC 12 MS-H	G52-120-0-00415	1.200 - 12.000 Nm	64 mm	3,9 kg
SX - EC 12 MF	G52-120-0-00215	1.200 - 12.000 Nm	64 mm	3,8 kg

Ratschenkopf Ratchet head	Code Nr. Code no.	SW (mm) A/F (mm)	L1 L1 (mm)	B B (mm)	H H (mm)	Z Z (mm)	R R (mm)	MT <sub>max</sub> MT <sub>max</sub> (Nm)	Gewicht Weight (kg)
HSX 12055 F	G51-120-0-00520	55	290,0	51	214,5	32,5	49,0	7.500	3,9
HSX 12060 F	G51-120-0-00620	60	293,5	51	217,5	32,5	52,0	7.500	3,9
HSX 12065 F	G51-120-0-01320	65	296,5	51	220,0	32,5	54,5	8.000	3,9
HSX 12070 F	G51-120-0-00720	70	298,0	51	226,5	32,5	61,0	11.500	4,0
HSX 12075 F	G51-120-0-01520	75	298,0	51	228,0	32,5	62,5	12.000	4,0
HSX 12080 F	G51-120-0-00120	80	298,0	51	232,0	32,5	66,5	12.000	4,1
HSX 12085 F	G51-120-0-01120	85	300,0	51	234,5	32,5	69,0	12.000	4,2
HSX 12090 F	G51-120-0-01220	90	300,0	51	238,0	32,5	72,5	12.000	4,2
HSX 12095 F	G51-120-0-00220	95	300,0	51	238,0	32,5	72,5	12.000	4,3
HSX 12100 F	G51-120-0-00326	100	300,0	51	245,5	32,5	75,0	12.000	4,4
HSX 12105 F	G51-120-0-01620	105	300,5	51	247,0	32,5	76,5	12.000	4,5
HSX 12110 F	G51-120-0-00826	110	305,0	51	258,0	32,5	83,0	12.000	4,6
HSX 12120 F	G51-120-0-01420	120	311,0	51	264,5	32,5	85,0	12.000	4,6

Ratschenkopf <i>Ratched head</i>	Sechskanteinsatz Hexagon key insert	Code Nr. Code no.	SW (mm) A/F (mm)	Bemerkung notice
<b>HSX 12060 F</b>	HX 12060 H 50 M	F93-086-9-05022	50	
	HX 12060 H 51 M	F93-086-9-05122	51	
	HX 12060 H 55 M	F93-086-9-05522	55	
	HX 12060 H 56 M	F93-086-9-05622	56	
	HX 12060 H 60 M	F93-086-9-06022	60	
<b>HSX 12065 F</b>	HX 12065 H 50 M	F93-090-9-05007	50	
	HX 12060 H 55 M	F93-090-9-05507	55	
	HX 12060 H 60 M	F93-090-9-06007	60	
	HX 12060 H 63 M	F93-090-9-06307	63	
	HX 12060 H 65 M	F93-090-9-06507	65	
<b>HSX 12070 F</b>	HX 12070 H 50 M	F93-098-9-05003	50	
	HX 12070 H 55 M	F93-098-9-05503	55	
	HX 12070 H 60 M	F93-098-9-06003	60	
	HX 12070 H 65 M	F93-098-9-06503	65	
	HX 12070 H 67 M	F93-098-9-06703	67	
	HX 12070 H 70 M	F93-098-9-07003	70	
<b>HSX 12075 F</b>	HX 12075 H 46 M	F93-102-9-04610	46	
	HX 12075 H 55 M	F93-102-9-05510	55	
	HX 12075 H 60 M	F93-102-9-06010	60	
	HX 12075 H 65 M	F93-102-9-06510	65	
	HX 12075 H 70 M	F93-102-9-07010	70	
	HX 12075 H 75 M	F93-102-9-07510	75	
<b>HSX 12080 F</b>	HX 12080 H 57 M	F93-108-9-05710	57	
	HX 12080 H 65 M	F93-108-9-06510	65	
	HX 12080 H 70 M	F93-108-9-07010	70	
	HX 12080 H 71 M	F93-108-9-07110	71	
	HX 12080 H 75 M	F93-108-9-07510	75	
	HX 12080 H 77 M	F93-108-9-07710	77	
	HX 12080 H 80 M	F93-108-9-08010	80	

<b>Ratschenkopf</b> <i>Ratched head</i>	Sechskanteinsatz Hexagon key insert	Code Nr. Code no.	SW (mm) A/F (mm)	Bemerkung notice
<b>HSX 12085 F</b>	HX 12085 H 80 M	F93-108-9-05710	57	
	HX 12085 H 85 M	F93-108-9-06510	65	
<b>HSX 12090 F</b>	HX 12090 H 75 M	F93-122-9-07522	75	
	HX 12090 H 80 M	F93-122-9-08022	80	
	HX 12090 H 85 M	F93-122-9-08522	85	
	HX 12090 H 90 M	F93-122-9-09022	90	
<b>HSX 12095 F</b>	HX 12095 H 65 M	F93-123-9-06501	65	
	HX 12095 H 70 M	F93-123-9-07001	70	
	HX 12095 H 75 M	F93-123-9-07501	75	
	HX 12095 H 80 M	F93-123-9-08001	80	
	HX 12095 H 85 M	F93-123-9-08501	85	
	HX 12095 H 90 M	F93-123-9-09001	90	
	HX 12095 H 95 M	F93-123-9-09501	95	
<b>HSX 12100 F</b>	HX 12100 H 70 M	F93-130-9-07005	70	
	HX 12100 H 75 M	F93-130-9-07505	75	
	HX 12100 H 80 M	F93-130-9-08005	80	
	HX 12100 H 85 M	F93-130-9-08505	85	
	HX 12100 H 90 M	F93-130-9-09005	90	
	HX 12100 H 95 M	F93-130-9-09505	95	
	HX 12100 H 100 M	F93-130-9-10005	100	

Ratschenkopf Ratchet head	Code Nr. Code no.	SW (") A/F (")	L1 L1 (mm)	B B (mm)	H H (mm)	Z Z (mm)	R R (mm)	MT <sub>max</sub> MT <sub>max</sub> (Nm)	Gewicht Weight (kg)
HSX 12055 F	G51-120-0-00525	2 1/8"	290,0	51	214,5	32,5	49,0	7.500	3,9
HSX 12060 F	G51-120-0-00625	2 5/16"	293,5	51	217,5	32,5	52,0	7.500	3,9
HSX 12065 F	G51-120-0-01325	2 1/2"	296,5	51	220,0	32,5	54,5	8.000	3,9
HSX 12070 F	G51-120-0-00725	2 3/4"	298,0	51	226,5	32,5	61,0	11.500	4,0
HSX 12075 F	G51-120-0-01425	2 15/16"	298,0	51	228,0	32,5	62,5	12.000	4,0
HSX 12080 F	G51-120-0-00125	3 1/8"	298,0	51	232,0	32,5	66,5	12.000	4,1
HSX 12085 F	G51-120-0-01125	3 5/16"	300,0	51	234,5	32,5	69,0	12.000	4,2
HSX 12090 F	G51-120-0-01225	3 1/2"	300,0	51	238,0	32,5	72,5	12.000	4,2
HSX 12095 F	G51-120-0-00225	3 3/4"	300,0	51	238,0	32,5	72,5	12.000	4,3
HSX 12100 F	G51-120-0-00526	3 7/8"	300,0	51	245,5	32,5	75,0	12.000	4,4
HSX 12105 F	G51-120-0-01725	4 1/8"	300,5	51	247,0	32,5	76,5	12.000	4,5
HSX 12110 F	G51-120-0-00825	4 1/4"	305,0	51	258,0	32,5	83,0	12.000	4,6
HSX 12120 F	G51-120-0-01525	4 5/8"	311,0	51	264,5	32,5	85,0	12.000	4,6

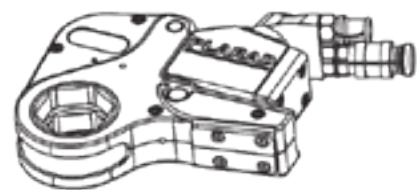
<b>Ratschenkopf</b> <i>Ratched head</i>	Wechseleinsatz Changeable insert	Code Nr. Code no.	SW (") A/F (")	Bemerkung notice
<b>HSX 12100 F</b>	HX 12100 H 388	F93-130-9-09905	3 7/8"	

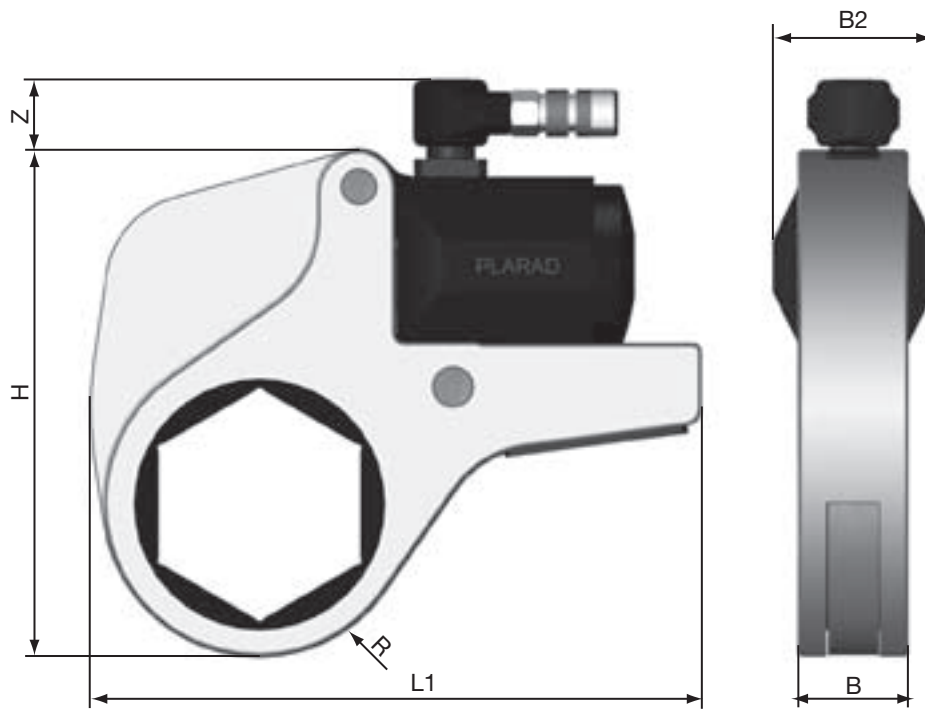
Ratschenkopf Ratchet head	Code Nr. Code no.	SW (mm) A/F (mm)	L1 L1 (mm)	B B (mm)	H H (mm)	Z Z (mm)	R R (mm)	MT <sub>max</sub> MT <sub>max</sub> (Nm)	Gewicht Weight (kg)
HSX 12055 W	G51-120-0-00924	max. 55	296,5	57	220,0	32,5	54,5	8.000	4,2
HSX 12060 W	G51-120-0-01224	max. 60	298,0	57	226,5	32,5	61,0	7.500	4,2
HSX 12065 W	G51-120-0-00424	max. 65	298,0	57	226,5	32,5	61,0	11.000	4,3
HSX 12070 W	G51-120-0-00126	max. 70	300,0	58	234,5	32,5	69,0	11.500	4,5
HSX 12075 W	G51-120-0-00324	max. 75	300,0	58	238,0	32,5	72,5	12.000	4,5
HSX 12080 W	G51-120-0-00124	max. 80	300,0	58	234,5	32,5	69,0	12.000	4,5
HSX 12085 W	G51-120-0-00224	max. 85	300,0	58	238,0	32,5	72,5	12.000	4,5
HSX 12090 W	G51-120-0-00226	max. 90	299,5	58	245,5	32,5	75,0	11.000	4,6
HSX 12095 W	G51-120-0-01124	max. 95	300,5	58	247,0	32,5	76,5	12.000	4,7
HSX 12115 W	G51-120-0-01324	max. 115	316,0	58	273,5	32,5	90,0	12.000	4,9

<b>Ratschenkopf</b> <i>Ratched head</i>	Wechseleinsatz Changeable insert	Code Nr. Code no.	SW (mm) A/F (mm)	Bemerkung notice
<b>HSX 12055 W</b>	HXW 12055 H 41M	F93-074-9-04117	41	
	HXW 12055 H 46M	F93-074-9-04617	46	
	HXW 12055 H 50M	F93-074-9-05017	50	
	HXW 12055 H 55M	F93-074-9-05517	55	
<b>HSX 12065 W</b>	HXW 12065 H 36M	F93-082-9-03601	36	
	HXW 12065 H 41M	F93-082-9-04101	41	
	HXW 12065 H 46M	F93-082-9-04601	46	
	HXW 12065 H 50M	F93-082-9-05001	50	
	HXW 12065 H 55M	F93-082-9-05501	55	
	HXW 12065 H 60M	F93-082-9-06001	60	
	HXW 12065 H 65M	F93-082-9-06501	65	
<b>HSX 12070 W</b>	HXW 12070 H 56M	F93-096-9-05632	56	
	HXW 12070 H 70M	F93-096-9-07032	70	
<b>HSX 12075 W</b>	HXW 12075 H 55M	F93-102-9-05512	55	
	HXW 12075 H 60M	F93-102-9-06012	60	
	HXW 12075 H 65M	F93-102-9-06512	65	
	HXW 12075 H 70M	F93-102-9-07012	70	
	HXW 12075 H 75M	F93-102-9-07512	75	
<b>HSX 12080 W</b>	HXW 12080 H 46M	F93-100-9-04602	46	
	HXW 12080 H 50M	F93-100-9-05002	50	
	HXW 12080 H 55M	F93-100-9-05502	55	
	HXW 12080 H 60M	F93-100-9-06002	60	
	HXW 12080 H 65M	F93-100-9-06502	65	
	HXW 12080 H 70M	F93-100-9-07002	70	
	HXW 12080 H 75M	F93-100-9-07502	75	
	HXW 12080 H 80M	F93-100-9-08002	80	
<b>HSX 12085 W</b>	HXW 12085 H 41M	F93-106-9-04101	41	
	HXW 12085 H 46M	F93-106-9-04601	46	
	HXW 12085 H 50M	F93-106-9-05001	50	
	HXW 12085 H 55M	F93-106-9-05501	55	
	HXW 12085 H 60M	F93-106-9-06001	60	
	HXW 12085 H 65M	F93-106-9-06501	65	
	HXW 12085 H 70M	F93-106-9-07001	70	
	HXW 12085 H 75M	F93-106-9-07501	75	
	HXW 12085 H 77M	F93-106-9-07701	77	
	HXW 12085 H 80M	F93-106-9-08001	80	
	HXW 12085 H 85M	F93-106-9-08501	85	
<b>HSX 12090 W</b>	HXW 12090 H 70M	F93-114-9-07001	70	
	HXW 12090 H 75M	F93-114-9-07501	75	
	HXW 12090 H 80M	F93-114-9-08001	80	
	HXW 12090 H 85M	F93-114-9-08501	85	
	HXW 12090 H 90M	F93-114-9-09001	90	
<b>HSX 12095 W</b>	HXW 12095 H 65M	F93-118-9-06501	65	
	HXW 12095 H 75M	F93-118-9-07501	75	
	HXW 12095 H 77M	F93-118-9-07701	77	
	HXW 12095 H 80M	F93-118-9-08001	80	
	HXW 12095 H 85M	F93-118-9-08501	85	
	HXW 12095 H 90M	F93-118-9-09001	90	
	HXW 12095 H 95M	F93-118-9-09501	95	
<b>HSX 12115 W</b>	HXW 12115 H 75M	F93-144-9-07509	75	
	HXW 12115 H 100M	F93-144-9-10009	100	
	HXW 12115 H 115M	F93-144-9-11509	115	

Ratschenkopf Ratchet head	Code Nr. Code no.	SW (") A/F (")	L1 L1 (mm)	B B (mm)	H H (mm)	Z Z (mm)	R R (mm)	MT <sub>max</sub> MT <sub>max</sub> (Nm)	Gewicht Weight (kg)
HSX 12055 W	G51-120-0-00924	max. 2 <sup>1/8</sup> "	296,5	57	220,0	32,5	54,5	8.000	4,2
HSX 12060 W	G51-120-0-01224	max. 2 <sup>5/16</sup> "	298,0	57	226,5	32,5	61,0	7.500	4,2
HSX 12065 W	G51-120-0-00424	max. 2 <sup>1/2</sup> "	298,0	57	226,5	32,5	61,0	11.500	4,3
HSX 12070 W	G51-120-0-00126	max. 2 <sup>3/4</sup> "	300,0	58	234,5	32,5	69,0	12.000	4,5
HSX 12075 W	G51-120-0-00324	max. 2 <sup>15/16</sup> "	300,0	58	238,0	32,5	72,5	12.000	4,5
HSX 12080 W	G51-120-0-00124	max. 3 <sup>1/8</sup> "	300,0	58	234,5	32,5	69,0	12.000	4,5
HSX 12085 W	G51-120-0-00224	max. 3 <sup>5/16</sup> "	300,0	58	238,0	32,5	72,5	12.000	4,5
HSX 12090 W	G51-120-0-00226	max. 3 <sup>1/2</sup> "	299,5	58	245,5	32,5	75,0	11.000	4,6
HSX 12095 W	G51-120-0-01124	max. 3 <sup>5/8</sup> "	300,5	58	247,0	32,5	76,5	12.000	4,7
HSX 12115 W	G51-120-0-01324	max. 4 <sup>1/2</sup> "	316,0	58	273,5	32,5	90,0	12.000	4,9

Ratschenkopf Ratched head	Wechseleinsatz Changeable insert	Code Nr. Code no.	SW (") A/F (")	Bemerkung notice
<b>HSX 12055 W</b>	HXW 12055 H 200	F93-074-9-05118	2"	
<b>HSX 12065 W</b>	HXW 12065 H 256	F93-082-9-06502	2 <sup>9/16</sup> "	
<b>HSX 12080 W</b>	HXW 12080 H 181	F93-100-9-04603	1 <sup>13/16</sup> "	
	HXW 12080 H 188	F93-100-9-04803	1 <sup>7/8</sup> "	
	HXW 12080 H 194	F93-100-9-05003	1 <sup>15/16</sup> "	
	HXW 12080 H 200	F93-100-9-05103	2"	
	HXW 12080 H 206	F93-100-9-05203	2 <sup>1/16</sup> "	
	HXW 12080 H 213	F93-100-9-05403	2 <sup>1/8</sup> "	
	HXW 12080 H 219	F93-100-9-05603	2 <sup>3/16</sup> "	
	HXW 12080 H 225	F93-100-9-05703	2 <sup>1/4</sup> "	
	HXW 12080 H 238	F93-100-9-06003	2 <sup>3/8</sup> "	
	HXW 12080 H 244	F93-100-9-06203	2 <sup>7/16</sup> "	
	HXW 12080 H 250	F93-100-9-06403	2 <sup>1/2</sup> "	
	HXW 12080 H 256	F93-100-9-06503	2 <sup>9/16</sup> "	
	HXW 12080 H 263	F93-100-9-06703	2 <sup>5/8</sup> "	
	HXW 12080 H 269	F93-100-9-06803	2 <sup>11/16</sup> "	
	HXW 12080 H 275	F93-100-9-07003	2 <sup>3/4</sup> "	
	HXW 12080 H 281	F93-100-9-07103	2 <sup>13/16</sup> "	
	HXW 12080 H 294	F93-100-9-07503	2 <sup>15/16</sup> "	
	HXW 12080 H 300	F93-100-9-07603	3"	
	HXW 12080 H 313	F93-100-9-08003	3 <sup>1/8</sup> "	
<b>HSX 12085 W</b>	HXW 12085 H 300	F93-106-9-07602	3"	
	HXW 12085 H 313	F93-106-9-08002	3 <sup>1/8</sup> "	
	HXW 12085 H 325	F93-106-9-08302	3 <sup>1/4</sup> "	
	HXW 12085 H 331	F93-106-9-08402	3 <sup>5/16</sup> "	





## SX - 20

Antriebseinheit Drive unit	Code Nr. Code no.	Leistungsbereich Performance range	B2 B2	Gewicht Weight
SX - 20 TST	G52-200-0-00114	2.000 - 20.000 Nm	96 mm	5,9 kg

Ratschenkopf Ratchet head	Code Nr. Code no.	SW (mm) A/F (mm)	L1 L1 (mm)	B B (mm)	H H (mm)	Z Z (mm)	R R (mm)	MT <sub>max</sub> MT <sub>max</sub> (Nm)	Gewicht Weight (kg)
HSX 20055 F	G51-200-0-01225	55	340	65,5	259,0	40,5	53,0	12.000	9,6
HSX 20065 F	G51-200-0-00225	65	347	65,5	270,0	40,5	59,0	13.000	9,7
HSX 20075 F	G51-200-0-00325	75	354	65,5	272,5	40,5	61,5	14.000	9,9
HSX 20080 F	G51-200-0-00925	80	355	65,5	276,0	40,5	65,0	15.500	10,0
HSX 20090 F	G51-200-0-00425	90	357	65,5	281,5	40,5	70,5	16.000	10,1
HSX 20095 F	G51-200-0-00525	95	357	65,5	286,5	40,5	75,5	20.000	10,4
HSX 20105 F	G51-200-0-00625	105	360	65,5	296,0	40,5	82,5	20.000	10,6
HSX 20110 F	G51-200-0-00725	110	362	65,5	296,5	40,5	85,5	20.000	10,9
HSX 20115 F	G51-200-0-01125	115	360	65,5	298,5	40,5	87,5	20.000	11,1
HSX 20120 F	G51-200-0-00825	120	363	65,5	301,5	40,5	90,5	20.000	11,3
HSX 20130 F	G51-200-0-01025	130	367	65,5	314,0	40,5	95,0	20.000	12,4
HSX 20135 F	G51-200-0-01325	135	369	65,5	316,0	40,5	97,0	20.000	12,8
HSX 20145 F	G51-200-0-01625	145	377	65,5	333,0	40,5	105,0	20.000	13,7

Ratschenkopf Ratched head	Wechseleinsatz Changeable insert	Code Nr. Code no.	SW (mm) A/F (mm)	Bemerkung notice
<b>HSX 20065 F</b>	HX 20065 H 65 M	F93-094-9-06502	65	
<b>HSX 20075 F</b>	HX 20075 H 50 M	F93-102-9-05011	50	
	HX 20075 H 55 M	F93-102-9-05511	55	
	HX 20075 H 65 M	F93-102-9-06511	65	
	HX 20075 H 70 M	F93-102-9-07011	70	
	HX 20075 H 75 M	F93-102-9-07511	75	
<b>HSX 20080 F</b>	HX 20080 H 75 M	F93-108-9-07509	75	
	HX 20080 H 77 M	F93-108-9-07709	77	
	HX 20080 H 80 M	F93-108-9-08009	80	
<b>HSX 20095 F</b>	HX 20095 H 80 M	F93-126-9-08009	80	
	HX 20095 H 85 M	F93-126-9-08509	85	
	HX 20095 H 90 M	F93-126-9-09009	90	
	HX 20095 H 95 M	F93-126-9-09509	95	



<b>Ratschenkopf</b> <i>Ratched head</i>	Wechseleinsatz Changeable insert	Code Nr. Code no.	SW (mm) A/F (mm)	Bemerkung notice
<b>HSX 20105 F</b>	HX 20105 H 105 M	F93-138-9-10501	105	
<b>HSX 20110 F</b>	HX 20110 H 110 M	F93-146-9-11001	110	
<b>HSX 20115 F</b>	HX 20115 H 110 M	F93-148-9-11000	110	
	HX 20115 H 115 M	F93-148-9-11500	115	
<b>HSX 20130 F</b>	HX 20130 H 130 M	F93-166-9-13001	130	

Ratschenkopf Ratchet head	Code Nr. Code no.	SW (mm/“) A/F (mm/“)	L1 L1 (mm)	B B (mm)	H H (mm)	Z Z (mm)	R R (mm)	MT <sub>max</sub> MT <sub>max</sub> (Nm)	Gewicht Weight (kg)
HSX 20065 F	G51-200-0-00227	2 1/2“	347	65,5	270,0	40,5	59,0	13.000	9,7
HSX 20075 F	G51-200-0-00327	2 15/16“	354	65,5	272,5	40,5	61,5	14.000	9,9
HSX 20080 F	G51-200-0-01327	3 1/8“	355	65,5	276,0	40,5	65,0	15.500	10,0
HSX 20090 F	G51-200-0-00427	3 1/2“	357	65,5	281,5	40,5	70,5	16.000	10,1
HSX 20095 F	G51-200-0-00527	3 5/8“	357	65,5	286,5	40,5	75,5	20.000	10,4
HSX 20105 F	G51-200-0-00627	4 1/8“	360	65,5	296,0	40,5	82,5	20.000	10,6
HSX 20110 F	G51-200-0-00727	4 5/16“	362	65,5	296,5	40,5	85,5	20.000	10,9
HSX 20120 F	G51-200-0-00827	4 5/8“	363	65,5	301,5	40,5	90,5	20.000	11,3
HSX 20130 F	G51-200-0-00927	5 1/16“	367	65,5	314,0	40,5	95,0	20.000	12,4
HSX 20135 F	G51-200-0-01326	5 1/4“	369	65,5	316,0	40,5	97,0	20.000	12,8
HSX 20145 F	G51-200-0-01626	5 3/8“	377	65,5	333,0	40,5	105,0	20.000	13,7
HSX 20065 W	G51-200-0-00624	max. 65	354	65,5	272,5	40,5	61,5	14.000	11,0
HSX 20085 W	G51-200-0-00224	max. 85	357	65,5	286,5	40,5	75,5	20.000	11,1
HSX 20095 W	G51-200-0-00324	max. 95	360	65,5	296,0	40,5	85,0	20.000	11,3
HSX 20105 W	G51-200-0-01224	max. 105	360	65,5	298,5	40,5	87,5	20.000	11,6
HSX 20115 W	G51-200-0-01124	max. 115	364	65,5	302,5	40,5	91,5	20.000	11,9
HSX 20120 W	G51-200-0-01024	max. 120	367	65,5	314,0	40,5	95,0	20.000	12,4
HSX 20135 W	G51-200-0-01324	max. 135	377	65,5	333,0	40,5	105,0	20.000	12,9
HSX 20065 W	G51-200-0-00624	max. 2 1/2“	354	65,5	272,5	40,5	61,5	14.000	11,0
HSX 20085 W	G51-200-0-00224	max. 3 5/16“	357	65,5	286,5	40,5	75,5	20.000	11,1
HSX 20095 W	G51-200-0-00324	max. 3 5/8“	360	65,5	296,0	40,5	85,0	20.000	11,3
HSX 20105 W	G51-200-0-01224	max. 4 1/8“	360	65,5	298,5	40,5	87,5	20.000	11,6
HSX 20115 W	G51-200-0-01124	max. 4 1/2“	364	65,5	302,5	40,5	91,5	20.000	11,9
HSX 20120 W	G51-200-0-01024	max. 4 5/8“	367	65,5	314,0	40,5	95,0	20.000	12,4
HSX 20135 W	G51-200-0-01324	max. 5 5/8“	377	65,5	333,0	40,5	105,0	20.000	12,9

<b>Ratschenkopf</b> <i>Ratched head</i>	Wechseleinsatz Changeable insert	Code Nr. Code no.	SW (mm) A/F (mm)	Bemerkung notice
<b>HSX 20095 W</b>	HXW 20095 H 65 M	F93-122-9-06523	65	
	HXW 20095 H 75 M	F93-122-9-07523	75	
	HXW 20095 H 85 M	F93-122-9-08523	85	
	HXW 20095 H 95 M	F93-122-9-09523	95	
<b>HSX 20105 W</b>	HXW 20105 H 75 M	F93-132-9-07501	75	
	HXW 20105 H 77 M	F93-132-9-07701	77	
	HXW 20105 H 80 M	F93-132-9-08001	80	
	HXW 20105 H 85 M	F93-132-9-08501	85	
	HXW 20105 H 90 M	F93-132-9-09001	90	
	HXW 20105 H 95 M	F93-132-9-09501	95	
	HXW 20105 H 100 M	F93-132-9-10001	100	
	HXW 20105 H 105 M	F93-132-9-10501	105	
<b>HSX 20115 W</b>	HXW 20115 H 109 M	F93-144-9-10906	109	
	HXW 20115 H 110 M	F93-144-9-11008	110	
	HXW 20115 H 115 M	F93-144-9-11508	115	

<b>Ratschenkopf</b> <i>Ratched head</i>	Wechseleinsatz Changeable insert	Code Nr. Code no.	SW (mm) A/F (mm)	Bemerkung notice
<b>HSX 20120 W</b>	HXW 20120 H 105 M	F93-150-9-10501	105	
	HXW 20120 H 110 M	F93-150-9-11001	110	
	HXW 20120 H 115 M	F93-150-9-11501	115	
	HXW 20120 H 120 M	F93-150-9-12001	120	
<b>HSX 20120 W</b>	HXW 20120 HD 105 M	F93-150-8-10501	105	
	HXW 20120 HD 110 M	F93-150-8-11001	110	
	HXW 20120 HD 115 M	F93-150-8-11501	115	
	HXW 20120 HD 120 M	F93-150-8-12001	120	

## SX - 30

Antriebseinheit Drive unit	Code Nr. Code no.	Leistungsbereich Performance range	B2 B2	Gewicht Weight
<b>SX - 30 TST</b>	G52-300-0-00114	3.000 - 30.000 Nm	102,5 mm	8,7 kg

Ratschenkopf Ratchet head	Code Nr. Code no.	SW (mm) A/F (mm)	L1 L1 (mm)	B B (mm)	H H (mm)	Z Z (mm)	R R (mm)	MT <sub>max</sub> MT <sub>max</sub> (Nm)	Gewicht Weight (kg)
<b>HSX 30095 F</b>	G51-300-0-00821	95	379,5	77	302,5	57	77,0	30.000	16,6
<b>HSX 30100 F</b>	G51-300-0-01221	100	379,5	77	318,0	57	92,5	30.000	16,8
<b>HSX 30115 F</b>	G51-300-0-00521	115	379,5	77	318,0	57	92,5	30.000	17,2
<b>HSX 30130 F</b>	G51-300-0-00621	130	388,5	77	327,5	57	99,5	30.000	17,8
<b>HSX 30145 F</b>	G51-300-0-00721	145	405,0	77	350,0	57	112,0	30.000	18,4

<b>Ratschenkopf</b> <i>Ratched head</i>	Sechskanteinsatz Hexagon key insert	Code Nr. Code no.	SW (mm) A/F (mm)	Bemerkung notice
<b>HSX 30115 F</b>	HX 30115 H 115 M	F93-152-9-11502	115	
<b>HSX 30130 F</b>	HX 30130 H 130 M	F93-168-9-13000	130	
<b>HSX 30145 F</b>	HX 30145 H 145 M	F93-188-9-14500	145	

Ratschenkopf Ratchet head	Code Nr. Code no.	SW (mm/“) A/F (mm/“)	L1 L1 (mm)	B B (mm)	H H (mm)	Z Z (mm)	R R (mm)	MT <sub>max</sub> MT <sub>max</sub> (Nm)	Gewicht Weight (kg)
<b>HSX 30095 F</b>	G51-300-0-00822	3 <sup>3</sup> / <sub>4</sub> “	379,5	77	302,5	57	77,0	30.000	16,6
<b>HSX 30100 F</b>	G51-300-0-01224	3 <sup>7</sup> / <sub>8</sub> “	379,5	77	318,0	57	92,5	30.000	16,8
<b>HSX 30115 F</b>	G51-300-0-00124	4 <sup>1</sup> / <sub>2</sub> “	379,5	77	318,0	57	92,5	30.000	17,2
<b>HSX 30130 F</b>	G51-300-0-00222	5“	388,5	77	327,5	57	99,5	30.000	17,8
<b>HSX 30145 F</b>	G51-300-0-00725	5 <sup>5</sup> / <sub>8</sub> “	405,0	77	350,0	57	112,0	30.000	18,4
<b>HSX 30115 W</b>	G51-300-0-00521	max. 115	388,5	77	327,5	57	99,5	30.000	17,5
<b>HSX 30130 W</b>	G51-300-0-00621	max. 130	405,0	77	350,0	57	112,0	30.000	18,3
<b>HSX 30115 W</b>	G51-300-0-00521	max. 4 <sup>1</sup> / <sub>2</sub> “	388,5	77	327,5	57	99,5	30.000	17,5
<b>HSX 30130 W</b>	G51-300-0-00621	max. 5“	405,0	77	350,0	57	112,0	30.000	18,3

<b>Ratschenkopf</b> <i>Ratched head</i>	Sechskanteinsatz Hexagon key insert	Code Nr. Code no.	SW (mm) A/F (mm)	Bemerkung notice
<b>HSX 30115 W</b>	HXW 30115 H 80 M	F93-147-9-08000	80	
	HXW 30115 H 95 M	F93-147-9-09500	95	
	HXW 30115 H 105 M	F93-147-9-10500	105	
	HXW 30115 H 110 M	F93-147-9-11000	110	
	HXW 30115 H 115 M	F93-147-9-11500	115	
<b>HSX 30130 W</b>	HXW 30130 H 130 M	F93-166-9-13003	130	

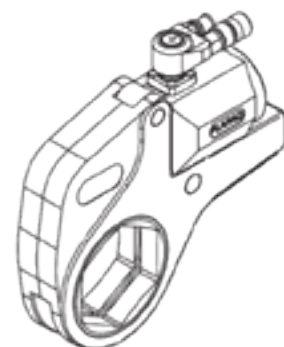
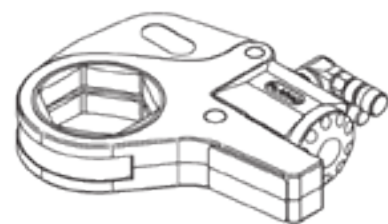
## SX - 45

Antriebseinheit Drive unit	Code Nr. Code no.	Leistungsbereich Performance range	B2 B2	Gewicht Weight
SX - 45 TST	G52-450-0-00114	4.500 - 45.000 Nm	111 mm	13,0 kg

Ratschenkopf Ratchet head	Code Nr. Code no.	SW (mm) A/F (mm)	L1 L1 (mm)	B B (mm)	H H (mm)	Z Z (mm)	R R (mm)	MT <sub>max</sub> MT <sub>max</sub> (Nm)	Gewicht Weight (kg)
HSX 45120 F	G51-450-0-00320	120	393,5	86	334,5	47	96,0	45.000	19,9
HSX 45135 F	G51-450-0-00520	135	401,0	86	356,0	47	109,0	45.000	21,1
HSX 45155 F	G51-450-0-00220	155	426,0	86	376,0	47	119,0	45.000	22,0
HSX 45165 F	G51-450-0-00521	165	429,5	86	379,5	47	122,5	45.000	23,0
HSX 45185 F	G51-450-0-00820	185	453,5	86	400,5	47	132,5	45.000	24,2

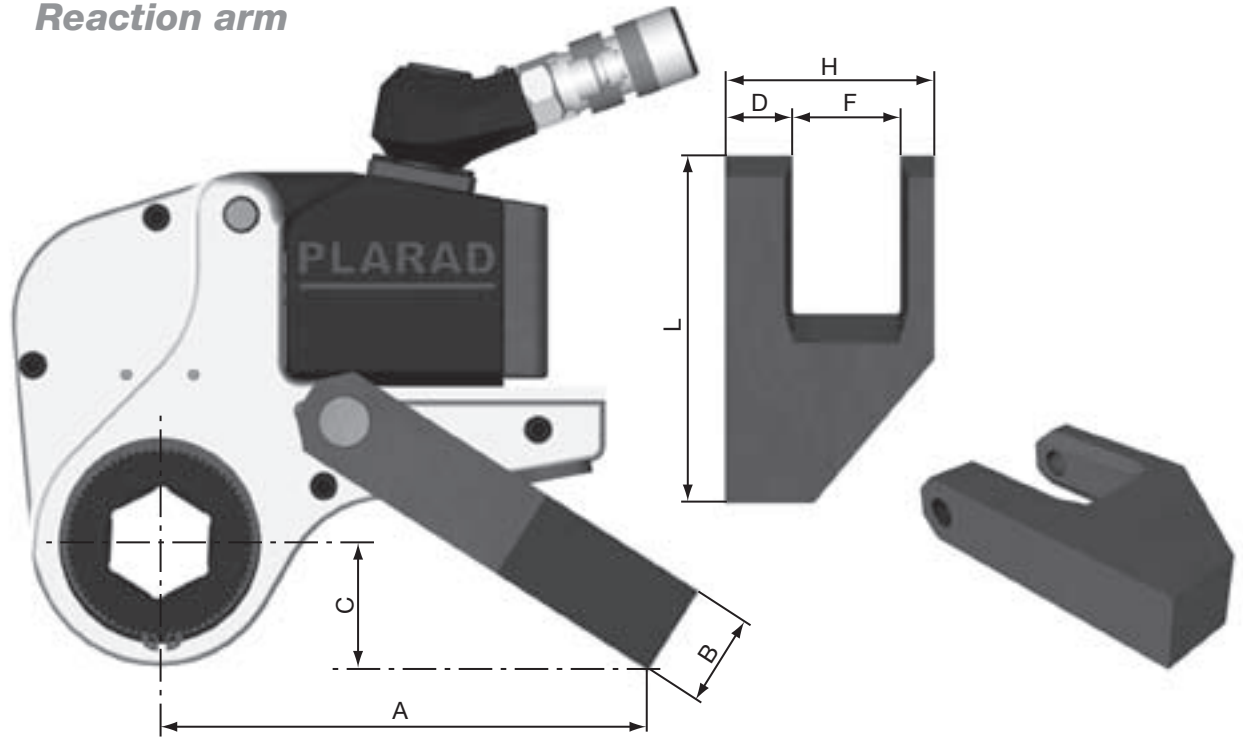
Ratschenkopf <i>Ratched head</i>	Sechskanteinsatz Hexagon key insert	Code Nr. Code no.	SW (mm) A/F (mm)	Bemerkung notice
<b>HSX 45120 F</b>	HX 45120 H 120 M	F93-160-9-12000	120	
<b>HSX 45135 F</b>	HX 45135 H 135 M	F93-178-9-13500	135	
<b>HSX 45155 F</b>	HX 45155 H 155 M	F93-200-9-15500	155	

Ratschenkopf Ratchet head	Code Nr. Code no.	SW (mm/“) A/F (mm/“)	L1 L1 (mm)	B B (mm)	H H (mm)	Z Z (mm)	R R (mm)	MT <sub>max</sub> MT <sub>max</sub> (Nm)	Gewicht Weight (kg)
HSX 45120 F	G51-450-0-00320	120	393,5	86	334,5	47	96,0	45.000	19,9
HSX 45135 F	G51-450-0-00520	135	401,0	86	356,0	47	109,0	45.000	21,1
HSX 45155 F	G51-450-0-00220	155	426,0	86	376,0	47	119,0	45.000	22,0
HSX 45165 F	G51-450-0-00521	165	429,5	86	379,5	47	122,5	45.000	23,0
HSX 45185 F	G51-450-0-00820	185	453,5	86	400,5	47	132,5	45.000	24,2
HSX 45120 F	G51-450-0-00325	4 <sup>5</sup> / <sub>8</sub> “	393,5	86	334,5	47	96,0	45.000	19,9
HSX 45155 F	G51-450-0-00224	5 <sup>3</sup> / <sub>4</sub> “	426,0	86	376,0	47	119,0	45.000	22,0
HSX 45185 F	G51-450-0-00823	7 <sup>1</sup> / <sub>4</sub> “	453,5	86	400,5	47	132,5	45.000	24,2
HSX 45145 W	G51-450-0-00130	max. 145	429,5	86	379,5	47	122,5	45.000	23,8
HSX 45145 W	G51-450-0-00130	max. 5 <sup>3</sup> / <sub>8</sub> “	429,5	86	379,5	47	122,5	45.000	23,8



## Abstützung

### Reaction arm



Abstützung Reaction arm	Code Nr. Code no.	A (mm)	B (mm)	C (mm)	D (mm)	F (mm)	H (mm)	L (mm)	Gewicht Weight (kg)
HSX 1 .. AR	B51-010-1-00120	134,0	20,0	23,0	20,0	32,5	60,5	115,0	0,45
HSX 2 .. AR	B51-025-1-00800	174,0	30,0	52,0	29,0	40,0	79,0	160,0	0,75
HSX 5 .. AR	B51-050-1-01201	192,0	34,0	36,0	29,5	50,0	97,5	162,0	1,4
HSX 12 .. AR	B51-120-1-00100	334,0	49,5	83,0	31,5	54,1	106,0	300,0	3,2
HSX 20 .. AR	B51-200-1-00100	282,0	55,0	50,0	60,0	65,7	145,5	230,0	4,1
HSX 30 .. AR	B51-300-1-00100	335,0	65,0	47,0	70,0	77,5	172,5	282,5	5,6
HSX 45 .. AR	B51-450-1-00100	372,0	85,0	72,6	80,0	86,5	211,5	335,0	11,5

## In-Out-Nuss

### In-out socket



In-Out-Nüsse sind in allen Abmaßen  
und Schlüsselweiten erhältlich.  
*In-out sockets are available in all sizes  
and dimensions.*

**PLARAD**<sup>®</sup>   
Torque & Tension Systems

**Maschinenfabrik Wagner  
GmbH & Co.KG**  
Birrenbachshöhe  
D-53804 Much • Germany

**Tel. national:** (02245) 62 - 0  
**Fax national:** (02245) 62 - 66  
**E-Mail:** [info@plarad.com](mailto:info@plarad.com)  
**Web:** <http://www.plarad.com>

**Phone international:** +49 (0)2245 62 - 10  
**Fax international:** +49 (0)2245 62 - 22  
**Copyright:** Nachdruck und Kopie, auch auszug-  
weise, nur mit vorheriger schriftlicher Genehmigung.